

Coffee System Grind on-demand Coffee Grinder, Flat Burrs 80 mm

ITEM # _____

MODEL # _____

NAME # _____

SIS # _____

AIA # _____



602687 (MK30DOS04)

Grind on-demand Coffee
Grinder with Dosamat self
recognition of portafilter, flat
burrs 80 mm, coffee beans
hopper 1,5kg, 1 and 2 cups
programmable doses and
continuous dosing.

Short Form Specification

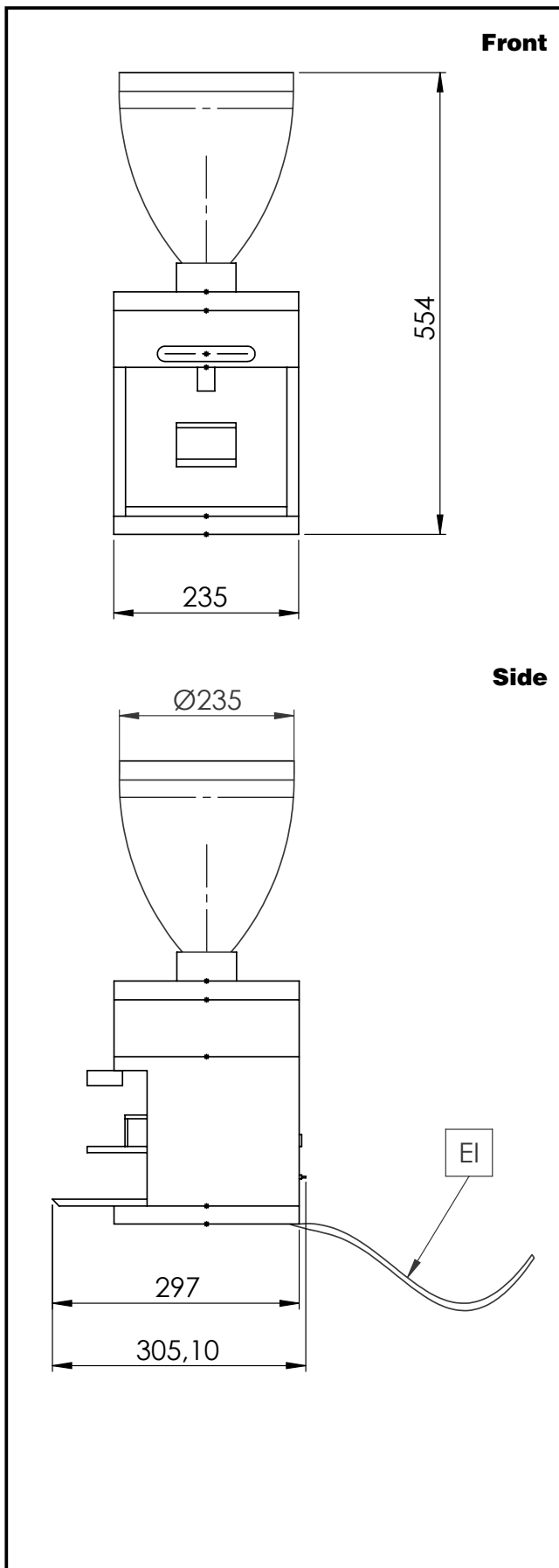
Item No. _____

This professional automatic coffee grinder guarantees a fresh grind while offering baristas easy use and absolute precision. With the patented DOSAMAT® device, as soon as the porta-filter for 1 or 2 cups is placed in the grinder, it is automatically detected and recognized: the on-demand coffee grinder starts up automatically and grinds the preprogrammed coffee dose for 1 or 2 cups. Baristas know the value of its timesaving features and total precision!

APPROVAL: _____

Main Features

- DOSAMAT® patented technology: the grinder recognizes the 1 or 2 cups portafilter and executes the corresponding demand.
- The grinder have an electronic timer to program the dose setting, as well as continuous dose.
- The micrometric grinding regulation ensures exceptional accuracy and results.
- The on-demand grinders guarantee the freshest coffee and the highest quality in every cup brewed.



Electric

Supply voltage:

602687 (MK30DOS04)

230 V/1N ph/50 Hz

Electrical power max.:

0.68 kW

Plug type:

CE-SCHUKO

Key Information:

External dimensions, Width:

235 mm

External dimensions, Depth:

305 mm

External dimensions, Height:

554 mm

Net weight:

14 kg

Shipping weight:

16 kg

Shipping height:

380 mm

Shipping width:

580 mm

Shipping depth:

320 mm

Shipping volume:

0.07 m³